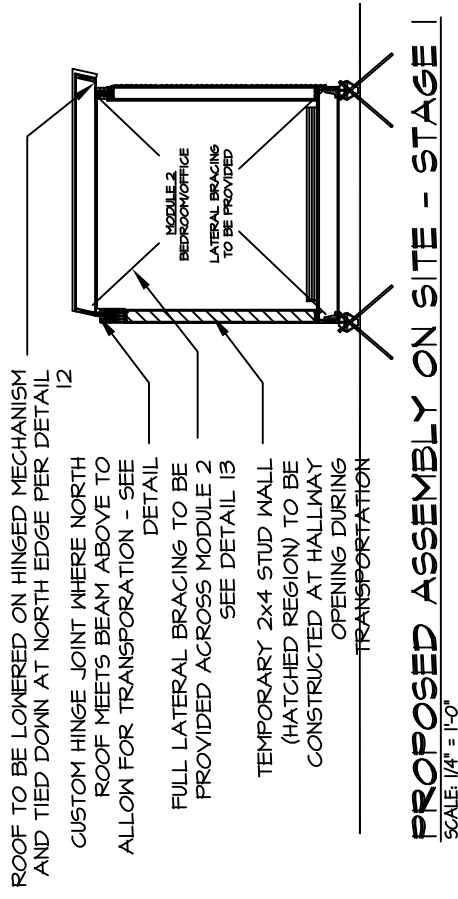


NOTE: THE FOLLOWING ASSEMBLY DESCRIPTION DETAILS THE STRUCTURAL CONSTRUCTION OF THE HOUSE UPON ARRIVAL IN D.C. NON-STRUCTURAL ITEMS (I.E. WINDOWS, DOORS, FINISH MATERIALS) ARE NOT INCORPORATED HERE. FOR A DETAILED STAGING OF ALL HOUSE COMPONENTS AS CHRONOLOGICALLY INSTALLED, PLEASE REFER TO WRITTEN ASSEMBLY DOCUMENTATION

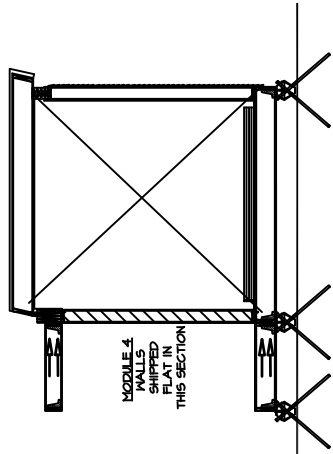


Module #2 Bedroom/office off loaded from trailer
The module will be placed on planks and rollers for final adjustments in placement on site
Once the module is correctly located on the site the footings will be located and installed
Module will be lowered onto footings and adjusted for level from site survey

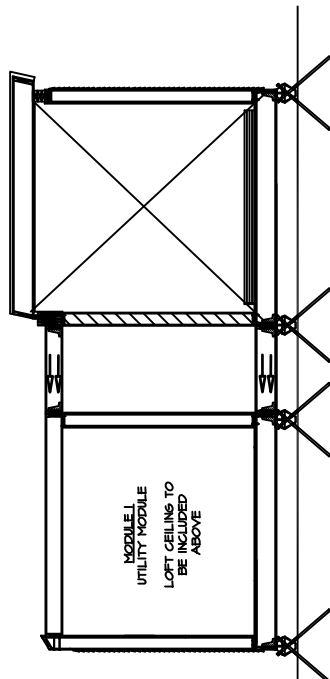
Module #4 Interconnecting hallway floor section will be attached to the first module with connecting bolts
Footings located and installed
Adjusted for level

Module #1 off loaded from trailer
Placed on planks and rollers for final adjustments on site
Adjust to align with interconnecting hallway
Locate footings and install
Lower onto footings and level module
Install connecting bolts

(NOT SHOWN IN GRAPHIC)
Module #3 Living room floor section off loaded from trailer
Placed on planks and rollers for final adjustments on site
Aligned with Mod #1 & 4 footings located and installed
Adjusted for level and install connecting bolts

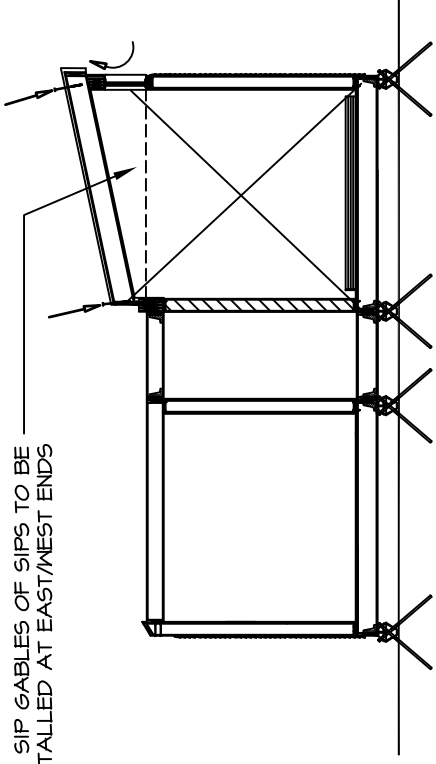


PROPOSED ASSEMBLY ON SITE - STAGE 2
SCALE: 1/4" = 1'-0"



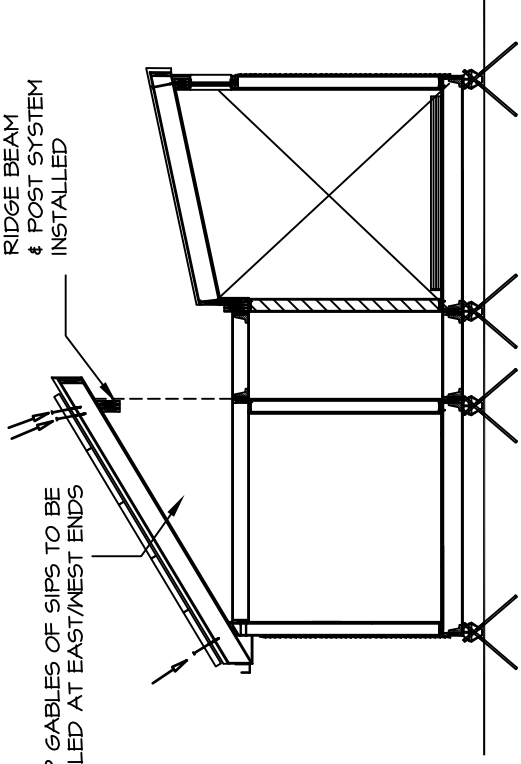
PROPOSED ASSEMBLY ON SITE - STAGE 3/4
SCALE: 1/8" = 1'-0"

SIP GABLES OF SIPS TO BE INSTALLED AT EAST/WEST ENDS



PROPOSED ASSEMBLY ON SITE - STAGE 5
SCALE: 1/4" = 1'-0"

SIP GABLES OF SIPS TO BE INSTALLED AT EAST/WEST ENDS



PROPOSED ASSEMBLY ON SITE - STAGE 6
SCALE: 1/4" = 1'-0"

Module #2 Bedroom/office

Steps to completion after module is set in place
Roof is hinged flat for transportation and secured (pre-finished)
Remove shipping bracing
Detach roof brackets
Roof jacked into position
Gables slid into place and secured
North wall clerestory wall panels and windows installed and secured
Roof secured to gables and clerestories

South Roof assembly

After all exterior walls and beams are in place and securely braced
Roof sections rigged and lifted into place with a lull
Starting at the south west wall and continuing towards the east
As each roof section is placed, it is secured and fastened as shown in plans
Roofing membrane in already in place and left with overlapping joints
Membrane at panel connections overlapped and secured
Pre installed furring strips for PV array
Exposed roof edges finished
PV array installed
Eave and rake trim installed
Water recovery system installed

South Roof assembly

After all exterior walls and beams are in place and securely braced
Roof sections rigged and lifted into place with a lull
Starting at the south west wall and continuing towards the east
As each roof section is placed, it is secured and fastened as shown in plans
Roofing membrane in already in place and left with overlapping joints
Membrane at panel connections overlapped and secured
Pre installed furring strips for PV array
Exposed roof edges finished
PV array installed
Eave and rake trim installed
Water recovery system installed

NOTE:

ALL DIMENSION TO BE FIELD VERIFIED & CHECKED. CONTRACTOR TO REPORT CHANGES AND OMISSIONS TO ARCHITECT.

MASSACHUSETTS INSTITUTE OF TECHNOLOGY
CAMBRIDGE MA

4

3

2

1

SOLAR DECATHLON

ASSEMBLY PROCESS

Prog. Number

Date 08.06.01

Scale 1/4" = 1'-0"

Sheet

S-7